

Description and application

Round gravity ventilator WC are used at the ends of ventilation ducts. Protect against direct influence of atmospheric conditions and support gravitational ventilation. They are also used with strong and often winds, air swirling at the inlet of the chimney, caused by the unfavorable location, and when the chimney draft is too small and not stable. Round gravity ventilator usually are mounted on bases BI, BII i BIII with base leveling roof drop. It is also possible mounting on the roof ridge.

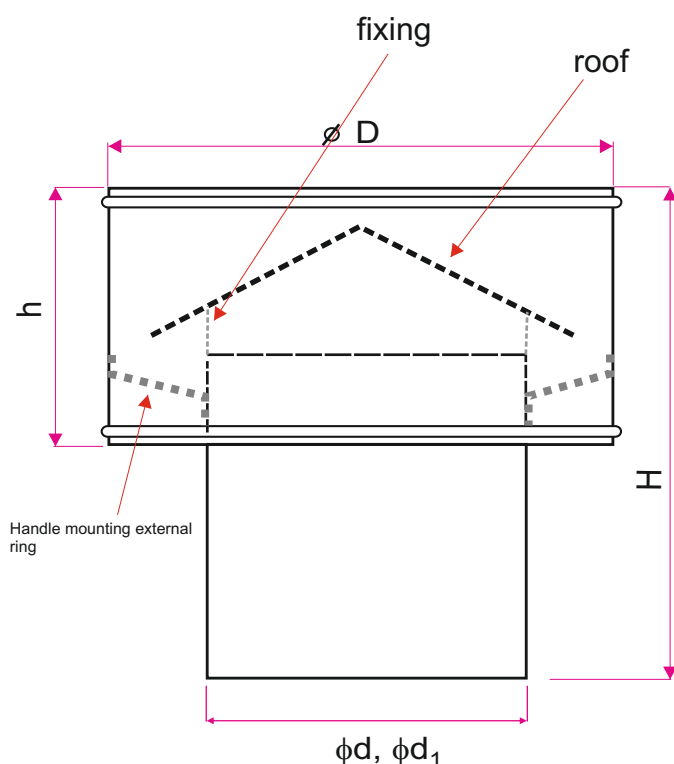
Round gravity ventilator has Hygienic Certificate HK/K/0522/03/2016

Material and workmanship

Round gravity ventilator is made of galvanized steel, powder coated to RAL 9006. On request it is possible to powder coated to any RAL color and make of aluminum and stainless steel. They are equipped with circular flanges, adapted to the standard diameters of round duct.

Size

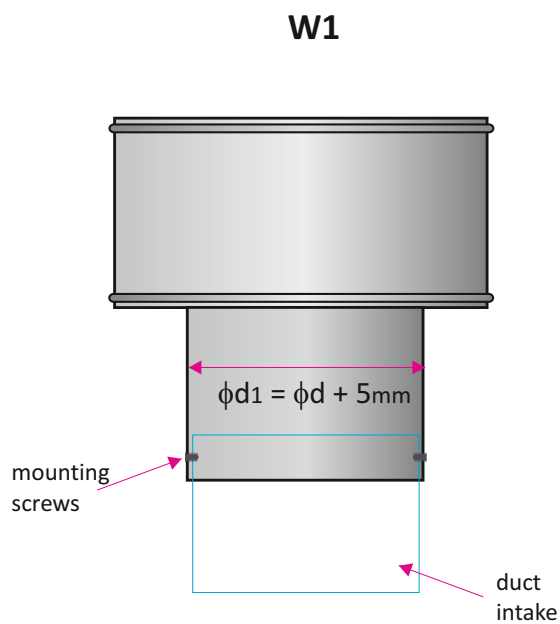
Round gravity ventilators are manufactured to order. Examples dimensions of WC are given in the table. Depending to the mounting method dimension ϕd_1 may have different values, such as the diameter for light type is produced on +5mm, in order to free plantings at the roof base or duct intake. When mounting is with mounting flanges (heavy type) dimensions ϕd_1 is equal to dimension of the inlet duct. Mounting flanges are recommended for the size from fi 400.



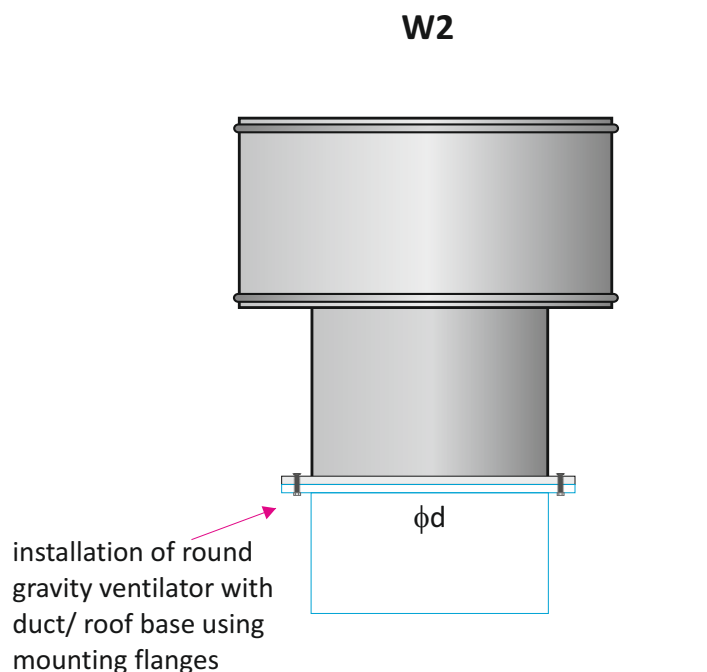
ϕd	ϕd_1	ϕD	H	h
mm				
100	105	200	290	160
160	165	320	375	195
200	205	400	450	250
250	255	500	530	300
315	320	630	700	390
400	400	800	870	470
500	500	1000	1000	585
630	630	1260	1300	770
800	800	1480	1500	950
1000	1000	2000	1950	1250

Other dimensions are manufactured on request

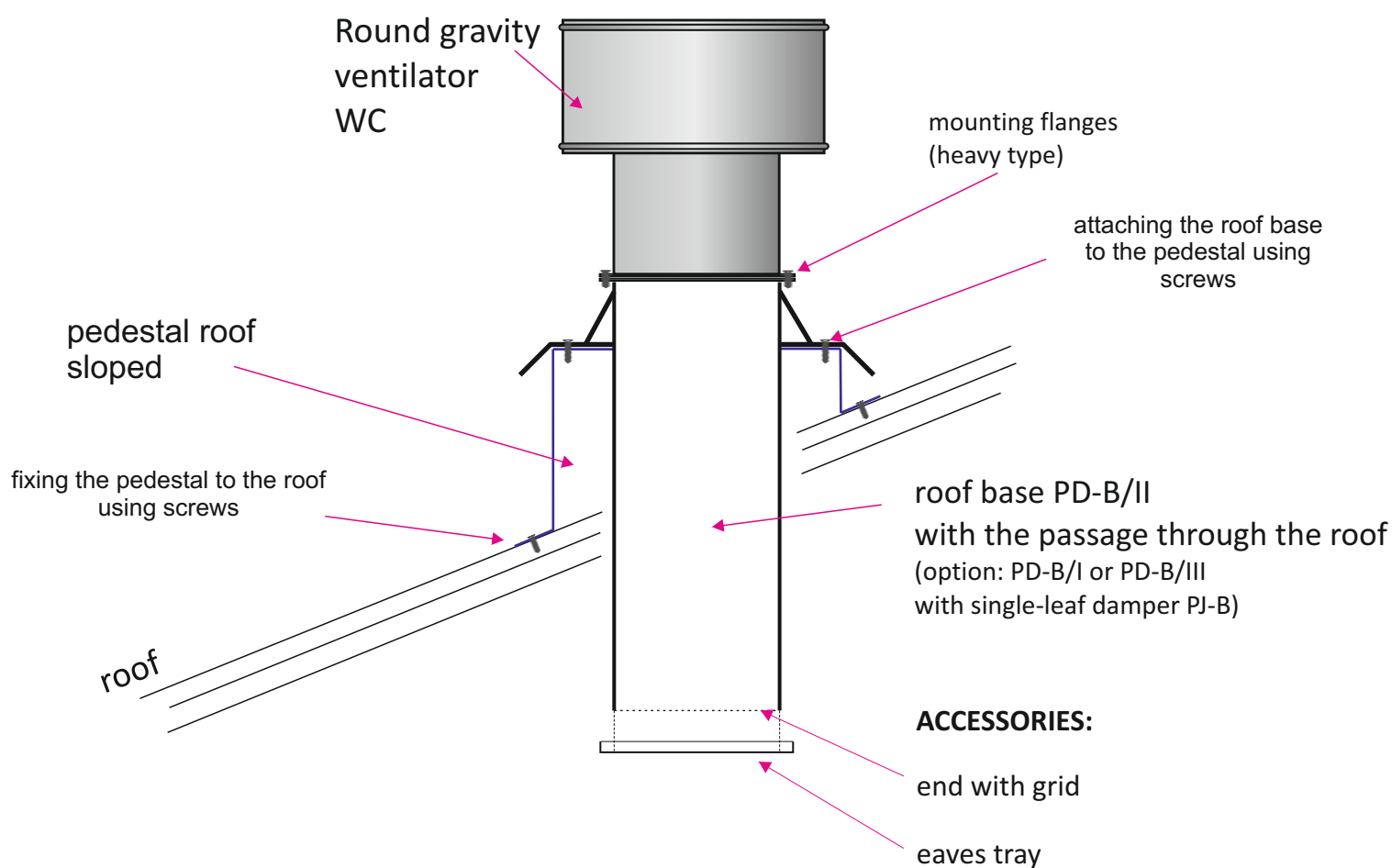
Methods of mounting



Type light - visible mounting with screws (fitted onto the duct).

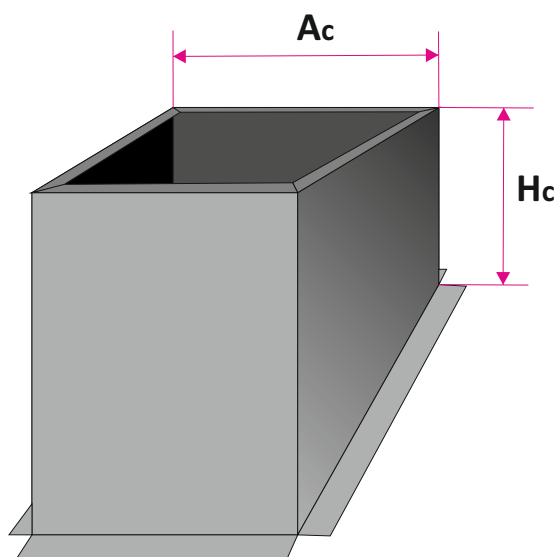


Heavy type - visible mounting with mounting flanges.

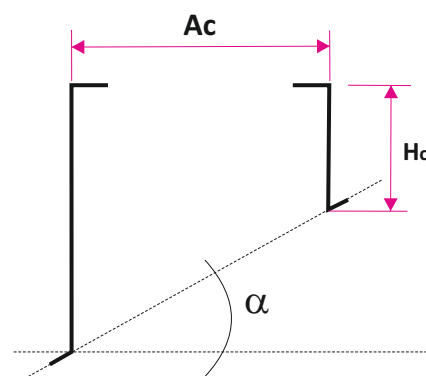


Accessories - pedestal roof

Roof pedestal is mounted on the roof as supporting structure of the roof bases PD-B/I, PD-B/II, PD-B/III, PD-A and to leveling roof pitch. Standard is made of galvanized steel. On request it is possible to powder-coated in any RAL color and to make pedestal from stainless steel or aluminum. Pedestal can also be isolated, thermal and / or acoustic with rubber or mineral wool.

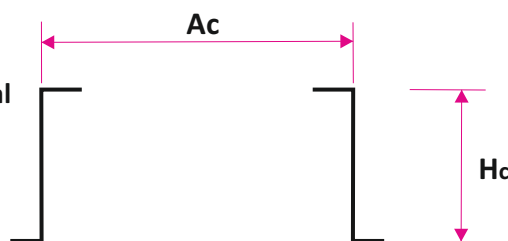


1. Angle pedestal



NOTE: please note whether the value of α is given in degrees or percent

2. Straight pedestal



The height of the straight and angle pedestal adjusted to the conditions at its mounting location (need to define at the time of making order).

Technical parameters

Below is a table with air efficiency round gravity ventilator:

Size (mm)	Air efficiency in (m ³ /h) at wind speed (m/s)							
	1 m/s	2 m/s	3 m/s	4 m/s	5 m/s	6 m/s	7 m/s	8 m/s
100	15	31	46	62	78	90	101	119
160	39	78	115	155	191	231	260	310
200	60	125	181	235	300	355	405	480
250	95	190	280	380	470	565	630	750
315	135	270	410	530	670	810	930	1060
400	240	485	730	965	1210	1450	1620	1930
500	395	650	1050	1400	1780	2100	2700	3120
630	550	1070	1680	2130	2630	3150	3750	4300

The method of placing an order

Please make orders according to the following formula:

WC / 'φd' / 'RAL' / 'M' / 'W'

'φd'	diameter of round gravity ventilator 100, 160, 200, 250, 315, 400, 500, 630, 800, 1000...
'RAL'	color according to RAL palette
'M'	material: OC - galvanized steel* AL - aluminum KO - stainless steel / acid proof steel (type. 1.4301 or 1.4404)
'W'	mounting option: W1 - light type - visible mounting with screws (fitted onto the duct) W2 -heavy type -visible mounting with mounting flanges.
'KS'	null * KS - end with grid
'TO'	null* TO - eaves tray

* - If you don't give the information will be used standard parameters.