

Description and application

For use on rectangular ventilation ducts and ventilation installations wireless. For use on rectangular ventilation ducts and ventilation installations wireless. They allow to let out installation by roofs of different construction and give to the roof structure weight intake / exhaust roof louvre.

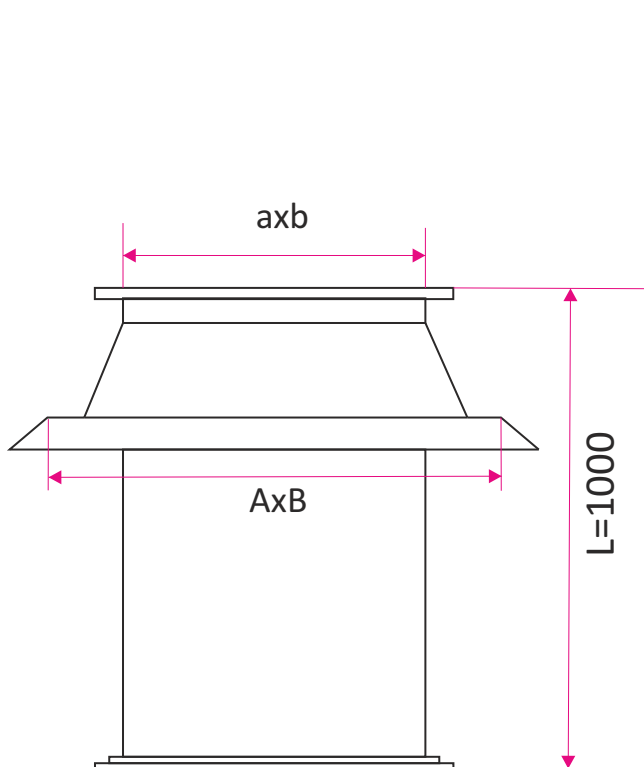
Roof base has Hygienic Certificate HK/K/0522/03/2016

Material and workmanship

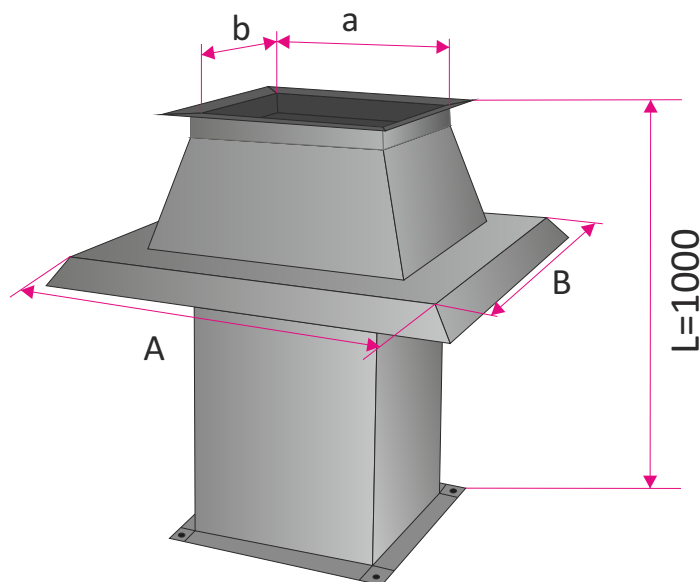
Roof base type A is made of galvanized steel. On request it is possible to powder coated to any RAL color and make roof base of aluminum and stainless steel.

Size

Roof base are manufactured to order. Examples dimensions are given in the table. On request it is possible to make louvre in other dimensions.



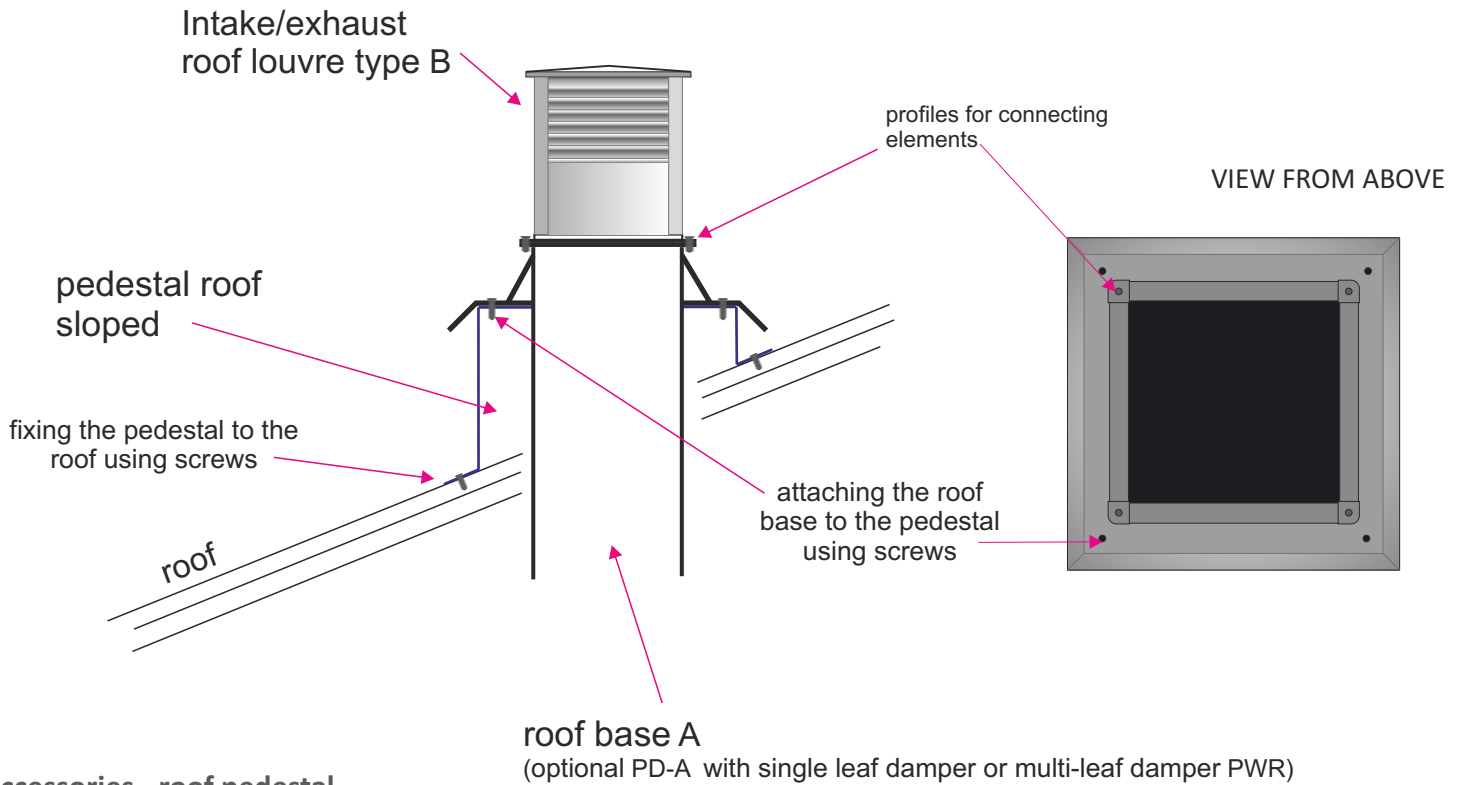
If it is necessary to produce the base in the dimensions AxB other than those suggested in the table, please give these dimensions in order code.



Size axb	A	B
	mm	
250x250	531	531
250x400	531	681
250x630	531	911
400x400	706	706
400x630	706	986
630x630	986	986
630x1000	986	1356
630x1600	986	1956
1000x1000	1456	1456
1600x1600	2056	2056

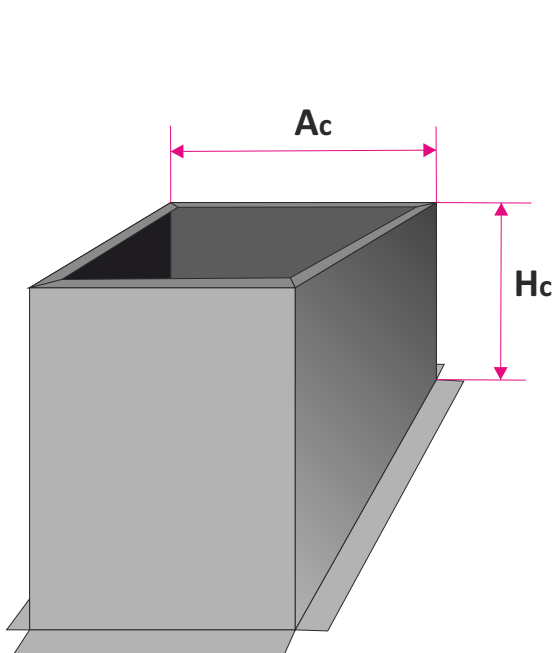
Other dimensions are manufactured on request

Installation example

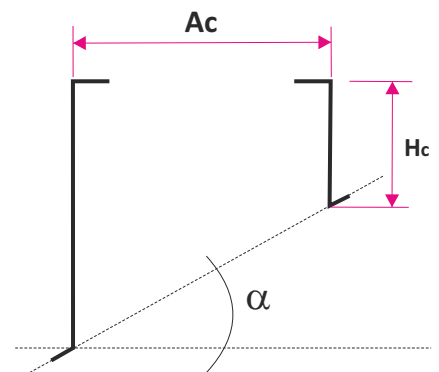


Accessories - roof pedestal

Roof pedestal is mounted on the roof as supporting structure of the roof bases PD-B/I, PD-B/II, PD-B/III, and to leveling roof pitch. Standard is made of galvanized steel. On request it is possible to powder-coated in any RAL color and to make pedestal from stainless steel or aluminum. Pedestal can also be isolated, thermal and / or acoustic with rubber or mineral wool.

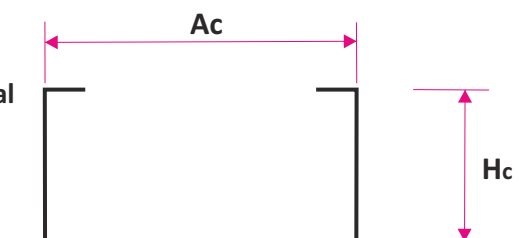


1. Angle pedestal



NOTE: please note whether the value of α is given in degrees or percent

2. Straight pedestal



The height of the straight and angle pedestal adjusted to the conditions at its mounting location (need to define at the time of making order).

The method of placing an order

Please make orders according to the following formula:

PD-A / 'axb' / 'RAL' / 'M' / 'P' + Pedestal / 'Hc' / 'α'

'axb'	dimension of base (according to the table or individual on request)
'RAL'	color according to RAL palette (none*)
'M'	material: ST - galvanized steel* AL - aluminum KO - stainless steel / acid proof steel (type 1.4301 or 1.4404)
'P'	regulation: none - without damper* PJ-A - single leaf damper PWR - multi-leaf damper
'Hc'	height of pedestal (in case of no information it will be used values from the table)
'α'	slope of the roof (specify whether the value is given in degrees or percent)

* - If you don't give the information will be used standard parameters.